

# GPS – Global Positioning Sensor (part no. E-019)

The GPS is an accessory that can be used with the Netbiter products to track the geographical position of a mobile application. The positioning information can be used on Netbiter Argos, to view the location of the system with the use of the map overview.

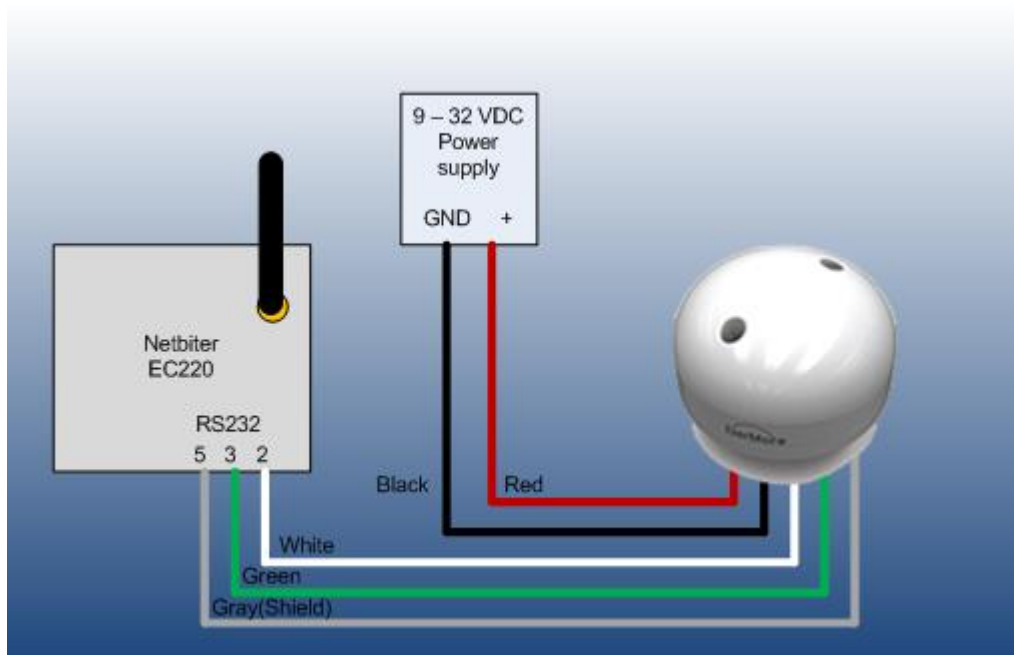


- Compatible with Netbiter EC220/250 and WS200 gateways
- Built-in patch antenna
- Fast TTFF and low power consumption with protection against reverse polarity voltage
- Interference filter to major VHF channels of marine radar
- WAAS compliant with EGNOS support
- Perfect Static Drift for both of speed and course
- Magnetic Declination compensation
- RS-232 support
- **Order Code: E-019**

RS-232 Interface	
Wire color	Designation
Violet	NC
Red	VCC, Power Supply (VDC 9V - 34 V) Connect with +VDC of power supply
Brown	NC
Green	RS-232 Transmit Tx, Output Signal Connect with pin 3 of a Netbiter
Blue	NC
White	RS-232 Receive Rx, Input Signal Connect with pin 2 of a Netbiter
Black	GND Connect with GND of Power supply
Gray	Shield Wire, Connect to GND Connect with pin 5 of the Netbiter

Protocols	NMEA-0183 v2.20@4800 baud, 8 N 1
Baud rate	4800 baud
NMEA Messages	GGA, GSA, GSV, RMC
Dimensions	Diameter: 77.5mm or 3.05-inch, Height:85.7mm or 3.37-inch
Weight	240g or 8.46oz

Installing the GPS with Netbiter EC220:



Installing the GPS with Netbiter EC250, Netbiter WS200:

